











































































EN

### 6.3. Technical characteristics

### 6.3. Caractéristiques techniques

ES

FR

DE

Output power:

1 Channel  
2 Merged Channels  
3 Merged Channels  
4 Merged Channels

### 6.3. Características técnicas

### 6.3. Technische Daten

1% THD	10% THD
114 WRMS @ 88Ω	145 WRMS @ 88Ω
195 WRMS @ 50Ω	226 WRMS @ 50Ω
290 WRMS @ 32Ω	348 WRMS @ 32Ω
356 WRMS @ 26Ω	430 WRMS @ 26Ω

Frequency response (-3dB)

30Hz – 55 kHz

High pass filter 3<sup>rd</sup> order Butterworth

70Hz

THD + Noise @ 1kHz Full power

&lt;0.03% typ. 0.2% max.

Signal Noise Ratio @ 100V

&gt;90dB

Channel Crosstalk @ 1kHz/100V

&gt;90dB

Inputs:

Sensitivity nom/Impedance  
Connectors

0dBV/>20kΩ  
Terminal block (Symmetrical)

Outputs:

Connectors

Terminal block

Indicators:

Power  
Signal present  
Clip  
Overload  
Thermal  
Merge

Green (ON), Red (Standby)  
-35dB

Remote control:

DC  
No attenuation  
Full attenuation  
Connectors

0-10V/0.1A max  
0V  
+10V  
Terminal block

Auto power:

Threshold  
Time

>-30dB aprox  
100 sec. aprox

Mains voltage

Depending on your country. See characteristics in the back of the unit.

Power consumption:

pink noise, 1/8 power  
pink noise, 1/3 power  
Standby

340VA  
470VA  
<3W

Dimensions:

Panel  
Depth (Handle excluded)

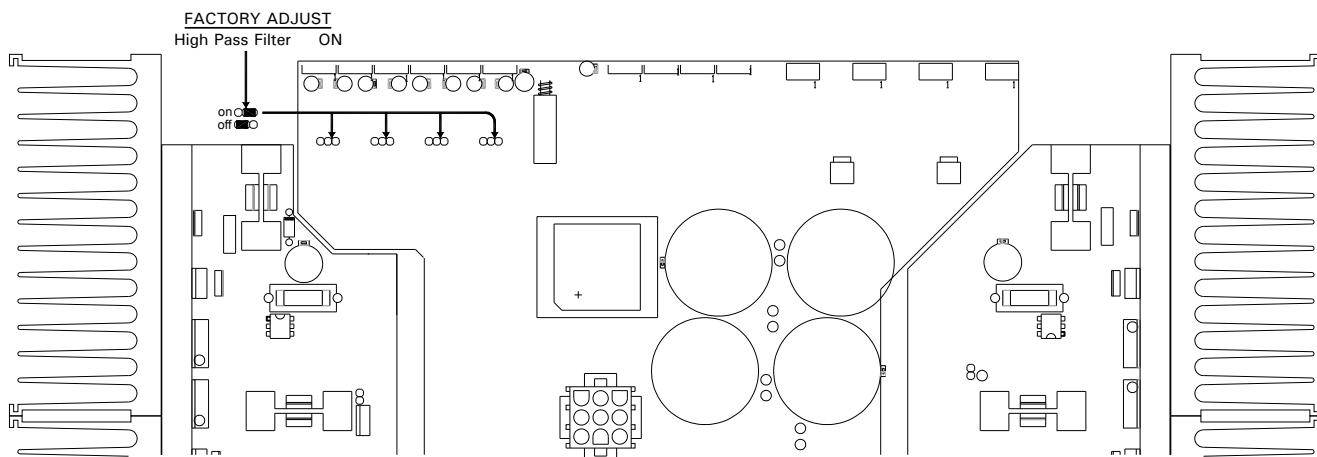
482.6x88mm  
392mm

Weight

13.60kg

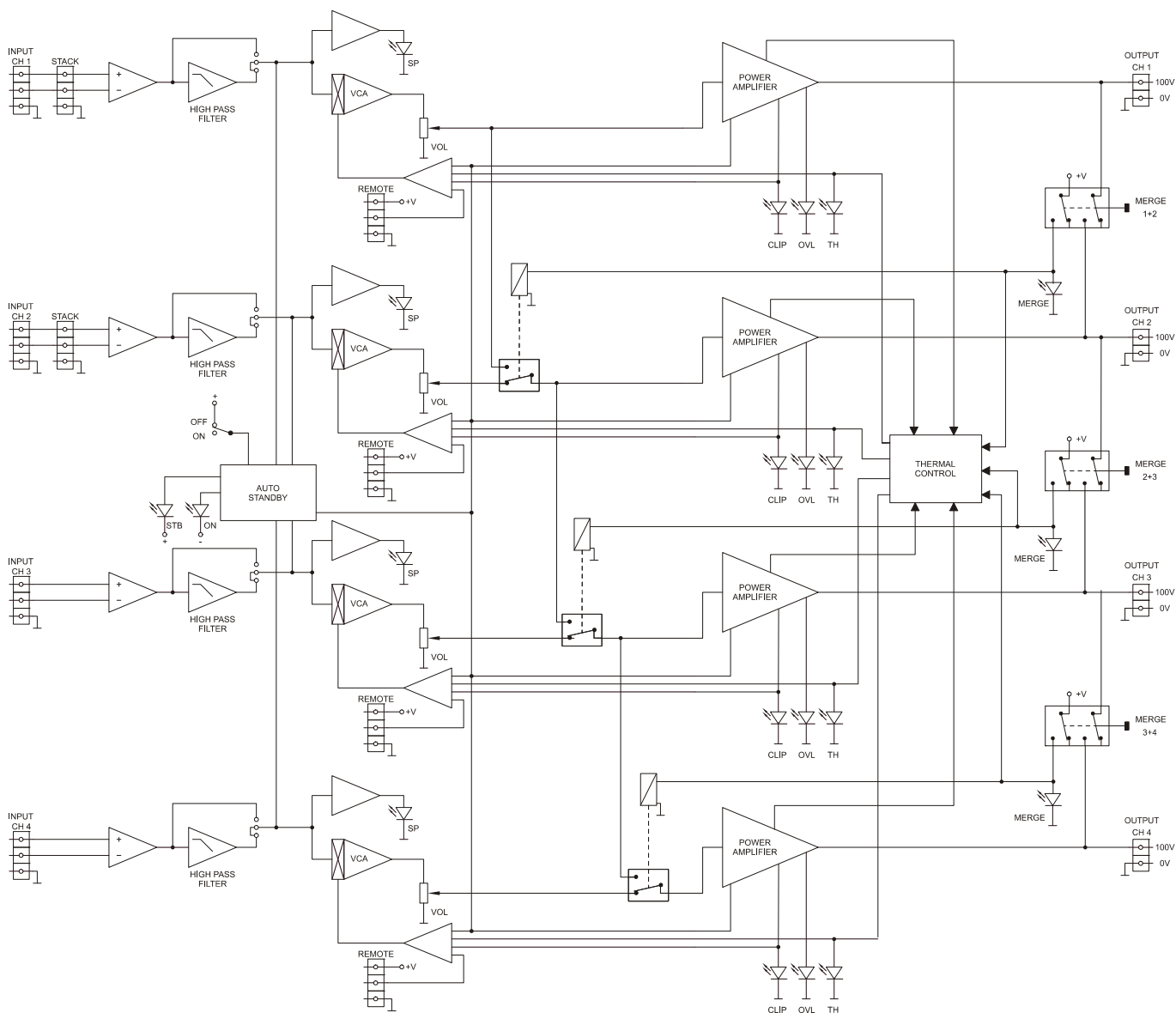
**6.4. Configuration diagram**  
**6.4. Schéma de configuration**

**6.4. Diagrama de configuración**  
**6.4. Konfiguration Diagramm**



**6.5. Block diagram**  
**6.5. Blocs de diagrammes**

**6.5. Diagrama de bloques**  
**6.5. Blockschaltbild**





50.0241.01.01

ECLER Laboratorio de electro-acústica S.A.  
Motors 166-168, 08038 Barcelona, Spain  
INTERNET <http://www.ecler.com> e-mail: [info@ecler.es](mailto:info@ecler.es)